

Goat Research

WI ATCP 160 Rule:

Goats with full natural horns may not be entered unless full natural horns are a standard for a specific breed.

Jefferson County Fair:

CURRENT: Bucks or goats with full natural horns may NOT be entered.

SUGGESTED: Goats with full natural horns may not be entered unless full natural horns are a standard for a specific breed. Dairy goats must be neatly disbudded or dehorned (if not naturally hornless) and scurs should be less than 2 inches. Goat Superintendent(s) have the right to disqualify, remove or isolate goats deemed unsafe.

Dodge County Fair:

All dairy & meat goats must be disbudded or dehorned. Purebred fiber type goats (angora, cashmere) may be exhibited with horns, but must not show aggressive behavior.

Waukesha County Fair:

Animals with natural horns (not disbudded or dehorned) shall not be shown except Angora, Boer and Pygmy goats based on the Breed Standard of the Goat. Dairy Goat Superintendent decision is final.

Washington County Fair:

Animals with natural horns (not disbudded or dehorned) shall not be shown except those shown under "Grandfather Clause." Pens of horned goats must be lined with plywood per policy of Goat Club.

WI State Fair:

Horned and disbudded goats can compete together without prejudice.

They also follow the American Dairy Goat Association (ADGA) rules which state: Neatly disbudded if the animal is not naturally hornless. Animals with natural horns shall not be shown.

Horn Definitions from ADGA:

Polled – Naturally hornless

Disbudded – horns are burned off as a very young kid

Dehorned – large horns that have been removed

Horns – has horns

Scurs – dehorned, but horns grew back & are less than 2 inches.

V417 VersaHANDLER® Telescopic Tool Carrier

Specifications

Model

V417

Performance

Operating Weight	10648 lb.	4830 kg
Max Rated Capacity	4400 lb.	1995 kg
Max Load Full Height	4400 lb.	1995 kg
Max Load at Full Reach	1850 lb.	839 kg
Auxiliary Hydraulic Flow	22 gpm	85 L
Hydraulic Pressure	3626 psi	235 bar
Lift Height	206 in.	5230 mm
Max Reach	124 in.	3150 mm
Reach at Max Height (24" load center)	47 in.	1193 mm
Bucket Dump Height	175 in.	4443 mm
Reach at Dump Height	31 in.	785 mm
Bucket Dump Angle Full Height	47 degrees	
Maximum Travel Speed		
Low	4.3 mph	7 km/hr.
High	15.5 mph	25 km/hr.
Draw Bar Pull	6970 lbf.	31000 N

Dimensions

Tires	Mitas 14-17.5, TR10	
Length Fork Heel to Rear	156.8 in.	3984 mm
Length Fork Heel to Rear Hitch	162.8 in.	4131 mm
Length Front Tire to Rear	122.2 in.	3103 mm
Wheelbase	90.6 in.	2300 mm
Ground Clearance	11.6 in.	294 mm
Cab Height	78.1 in.	1985 mm
Width	72.4 in.	1840 mm
Tread	58.5 in.	1485 mm
inside Turning Clearance	59 in.	1500 mm
Wheel Turning Clearance	124.8 in.	3170 mm
Fork Turning Clearance	168.5 in.	4280 mm

Engine

Make/Model	V3800-DI-T Turbo Charged - Tier III	
Fuel/Cooling	Diesel/Liquid	
Cylinders	4	
Net Horsepower	75 hp	56 kW
Rated rpm	2400	
Torque @ 1400 rpm	197.7 ft.-lb.	268 Nm
Displacement	230 cu. in.	3.8 L
Fuel Tank Capacity	24 gal.	91 L

Operation

Four Wheel Drive	Std
Two Speed Hydrostatic Transmission	Std
Steering Modes	Front wheel, four wheel opposed, crab
Creep	Std
Inching	Std
Dynamic Braking	Std
SAPR Brakes	Std

Features

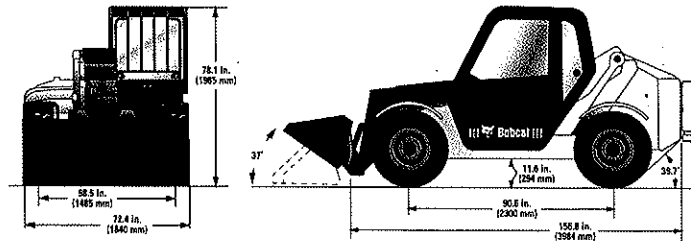
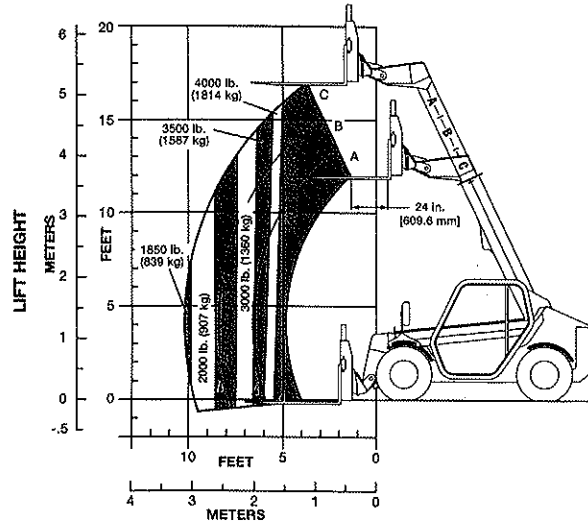
Self Diagnostic Troubleshooting	Std
ROPS/FOPS Approved Cab/Canopy Structure	Std
Cab with Heat and Air Conditioning	Std
Three Way Adjustable Suspension Seat	Std
Front Work Lights	Std
Rear Work Lights	Std
Road Lights	Opt
Pin Style Rear Hitch	Opt
Roof Window Wiper	Opt
Lateral Operator Restraint System (LORS)	Canopy Std
Back Up Alarm	Std
Retractable Seat Belt	Std
Tamper Proof Fuel Cap	Opt
Boom Angle Indicator	Std
Battery Disconnect	Std
12 Volt Accessory Port	Std
Cup Holder	Std

Attachment Capabilities

Bob-Tach Attachment Mounting System	Std	
Auxiliary Hydraulics with Quick Couplers	Std	
Standard Flow	22 gpm	85 L
Hydraulic Pressure	3626 psi	235 bar
Pressure Release Lever	Std	
Fingertip Auxiliary Control	Std	
Fingertip Boom and Tilt Control	Std	
Attachment Control Kit (7 pin connector)	Std (on cab only)	
Work Mode	Std	
Boom Float	Std	

Warranty

1 year/2000 hr warranty	Std
2 year/3000 hr warranty	Opt

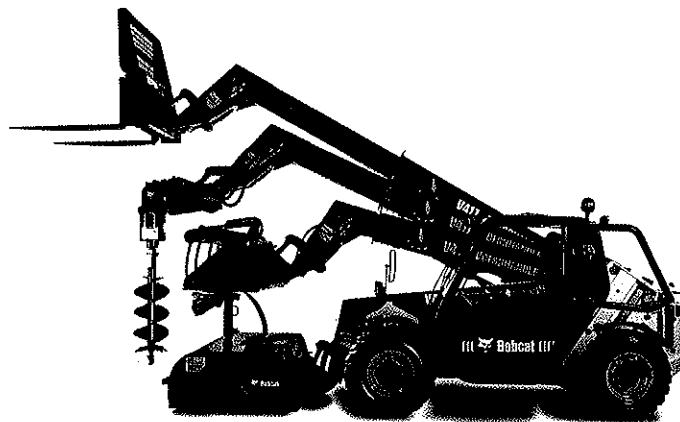


Pick a job... ANY JOB.

The VersaHandler® telescopic tool carrier does much more than just pick and place materials; it gives you the best of both worlds: the extended reach and great lift capacity of a telehandler with the versatility advantage of using more than 20 different attachments. Thanks to the standard Bob-Tach™ attachment mounting system, you can quickly change attachments and vastly increase the utilization of your machine. Keep the VersaHandler TTC working with the Brushcat™ rotary cutter, sweeper, soil conditioner, trencher, auger, grapple, bale fork, bucket and more.

NOTE - Where applicable, dimensions are in accordance with Society of Automotive Engineers (SAE) and ISO standards. Specifications and design are subject to change without notice. Pictures of Bobcat units may show other than standard equipment. All dimensions are given for loader equipped with standard tires. All dimensions are shown in inches. Respective metric dimensions are enclosed by parentheses. Bobcat Company complies with the requirements of ISO 9001 as registered with BSI.

Bobcat® and the Bobcat logo are registered trademarks of Bobcat Company in the United States and various other countries. ©Bobcat Company. All Rights Reserved.



Bobcat®

Bobcat Company • P.O. Box 6000 • West Fargo, ND 58078

Printed in U.S.A.

Yo EM 112 #04200 5

Bobcat Attachments for this model:

- Angle Broom*
- Auger
- Buckets
- Combination Bucket
- Dozer*
- Floating Pallet Forks
- Grapple
- Landscape Rake
- Mower
- Pallet Fork
- Rock Bucket
- Root Grapple
- Brushcat™ Rotary Cutter
- Scraper
- Seeder
- Snow Blade
- Snowblower*
- Snow Pusher
- Snow V-Blade*
- Soil Conditioner
- Sweeper
- Tiller
- Tilt Carriage Frame
- Trencher
- Truss Boom

*Requires 7-Pin Attachment Control Kit



Printed on 100% Recycled Paper

P-1824 (1/12)



Product Quotation

Quotation Number: 16C4D016654
Date: 2014-01-30 16:28:27

Ship to	Bobcat Dealer	Bill To
JEFFERSON CO. FAIRGROUNDS Attn: ROGER KYLMAMEN 503 N JACKSON AVE. JEFFERSON, WI 53549 Phone: 1-920-674-7148 Fax: 1-920-674-7480	Mid-State Group, Inc, Watertown, WI N8690 HIGH ROAD WATERTOWN WI 53094-9405 Phone: (920) 261-8118 Fax: (920) 261-8172 Contact: Ken Mehringer Phone: 9202618118 Fax: 920-261-8172 Cellular: 920-988-6827 E Mail: kmehring@midsstateequipment.com	JEFFERSON CO. FAIRGROUNDS Attn: ROGER KYLMAMEN 503 N JACKSON AVE. JEFFERSON, WI 53549 Phone: 1-920-674-7148 Fax: 1-920-674-7480

Description	Part No	Qty	Price Ea.	Total
V417-Cab VersaHandler	7138801	1	\$72,599.00	\$72,599.00
75 HP Turbo Kubota V3300-DI-T Engine	Hydrostatic Transmission			
Engine compliant with EPA Tier III Emission Standards	Lights, Front & Rear (Road and Working)			
Adjustable Fabric Suspension Seat	Mirrors, Right & Left Side			
Attachment Control Kit	Parking Brake			
Auxiliary Hydraulics	SAPR Brakes			
Back-up Alarm	Seat Belt, self-retracting			
Bob-Tach	Spark Arrestor Muffler			
Boom Float	Tires: 14 x 17.5			
Creep	Turn Signals			
Cab Enclosure with heat and air conditioning, front, rear & roof windows with front washer/wipers, roof window wiper, dome light and electrical power port	Wheel Fenders			
Hitch, Rear pin type	Warranty: 12 Months, Unlimited Hours			
Rear Mirror	94897-6	1	\$132.00	\$132.00
Beacon	78817-4	1	\$103.00	\$103.00
Pallet Fork Frame, Heavy Duty	7109332	1	\$1,050.00	\$1,050.00
--- 48" Pallet Fork Teeth	6541518	1	\$549.00	\$549.00

Total of Items Quoted	\$74,433.00
Dealer P.D.I.	\$250.00
Freight Charges	\$511.00
Dealer Assembly Charges	\$0.00
Discount municipal discount from Bobcat	(\$22,259.00)
Quote Total - US dollars	\$52,935.00

Notes:

This unit is quoted out from Bobcat Co through NJPA with contract number 06031-CEC If approved we will need the quote and a PO from Jefferson Cty to Bobcat Co

All prices subject to change without prior notice or obligation. This price quote supersedes all preceding price quotes. Customer must exercise his purchase option within 30 days from quote date.

Customer Acceptance:

Purchase Order: _____

Authorized Signature:

Wisconsin Association of Fairs Convention
“Start Our Engines”
Chula Vista – Wisconsin Dells
January 5 – 8, 2014

Gail arrived on Saturday, January 4th late afternoon and assisted with convention preparations. The annual convention officially started on Sunday morning. The Fairest of the Fair registration began at 10:30 a.m. with Meet the Contestants from 1:30 – 3:30 p.m. Amy, Alex, and Caitlyn attended the Meet the Contestants and Fairest Round Table discussion that followed. The discussions at the Fairest Round Table on Sunday were about other Fairest programs within WI, how they are run, how they recruit contestants, and how much training do the contestants receive. This was very helpful information as we just changed our program to reflect several other Fairs this year. Convention registration began at 3:00 p.m. A tradition of great networking was during Carnival Night from 6:00 p.m. – 8:00 p.m.

Monday, January 6, 2014

A terrific breakfast buffet was included each morning. The first session that Gail and Amy attended was “Green Initiative”. Patrick Reinsma from Travel Green Wisconsin led the session. Explain the application process and what was needed to be approved for the Travel Green designation. The Fair Park has done many of the necessary change.

There is an application fee of \$95.00. There are marketing benefits from the listing as “Green” to available signage, press releases, the use of the logo, partnerships and many more. More events are looking to work with “Green” facilities. Wisconsin earned over \$800,000 in media coverage in 2012. He showed the economic impact and suggested doing survey to track. Several companies felt that the increase in revenue was from their “Green” status.

At 10:00 a.m. Veggie Races started the official kick-off of the convention. There were over 20 veggie teams. We didn’t have a racer. At 10:30 a.m. the meeting was called to order. Ben Brancel, Wisconsin Dept. of Ag Secretary welcomed the fairs. The Keynote Speaker was Jim Tucker, IAFE CEO. He believes that fairs are critical to the country’s future.

At noon, Gail attended the Networking session sharing concerns and ideas with many fairs. Some of the issues discussed were MAP sales, entertainment costs, free standing entertainment, wine/beer and gate receipts.

At 1:00 p.m. the Trade Show opened and Gail spent time there until the Legislative Committee meeting at 3:00 p.m. The Department of Ag is looking to clean up language that is obsolete. A sub-committee will be set up to review.

At 1:30 p.m. Amy attended the Young Professionals Initiative meeting. It was more of a round table discussion where everyone introduced themselves, and something new they are doing at their Fair. Several talked about online entries saving them time however there is convenience fee that some Fairs charge the exhibitor and some Fairs pay the cost. Amy also was asked to share her experience at IAFE in Las Vegas and how to apply for a scholarship to attend.

At 4:30 p.m. the Fairest of the Fairs contestants had the opportunity to share what they had brought representing their county. Willow went with the theme of “Meat Jefferson County”. She had meat products from Jones, River’s Edge, Pernat’s, Johnsonville, Glen’s Market , Jelli’s Market and several others as well as two divisional Packer game tickets for 2014 season all in a Cooler with a bottle of wine from Vetro Winery. She did a fantastic

job promoting Jefferson County and her basket sold for a record breaking \$3,350.00 purchased by Badger State Tractor Pullers! The proceeds help keep the cost of the program down for the Fairs with Fairest contestants.

Following the auction, a Show Case of entertainment was presented.

Tuesday, January 7, 2014

The first session was Ag Networking at 8:00 a.m. with Brian Bolan, State Fair and Dr. McGraw, DATCP Vet. Several issues were reviewed including the Federal Tag, Inter State Tag and Intra State Tag. When people show the animals at many shows outside of Wisconsin, different identification tracking is needed. If it is an organized event, papers are needed. The facility does not have to have the paperwork, the event does.

New health issues with Hogs have surfaced and the Department of Ag is suggesting to NOT having any breeding stock at the fair, only terminal market hogs. There are several Fairs in WI that have terminal hog shows. State Fair has not yet made that determination for terminal only.

All health records are to be maintained by the Fair for 5 years.

Gail went to the Food Safety and Camping workshop at 9:30 a.m. This was put on by the Wisconsin Department of Health. We are ahead of most fairgrounds since we are a year round licensed campground. They covered what is all required to become compliant as a campground for a specific event or long term. If a fair only has the 4-H camping, license is exempt.

There are new codes coming up this year. Some of the rules are space separation requirements, number of people staying in a site, only one unit per site.

Regarding Food Safety, they explained that some Counties (which we are one of them) use their own inspection and licensing but also a state license also must be purchased. This is cooperative effort between local, state and the event. The best thing to do is sent all information with vendor contracts which we do. The fairs should ask to see the inspection reports, check the license and keep a copy on file. One person should be designated to work with the inspector and the vendor.

Amy went to the IAFE Resources workshop at 9:30 a.m. Marla Calico from the IAFE talked about the Resource center that is available online to IAFE members only. The Resource Center has documents on just about any topic that relates to Fairs and they are all downloadable documents that are welcome to other Fairs to use. We can also add our own documents that we feel are worth sharing.

At 11:15 the Round Table Gail attended was New, Cheap Events/Contests. So many ideas:

- Bed races
- Car Show
- Cake Decorating 4 – 5 yrs. Old give out ribbons and chocolate treats from sponsors
- Farm Olympics
- Old Fashion Games – tug of war, Water balloon toss
- Model Railroad display
- Butter Carving
- Kiddie Tractor Pull
- Money Hunt for small kids
- Penny stacking
- Veggie Races
- Creature Creation (Vegetables)
- Fairest – Tea Party

- Potato Decorating
- Fairest visiting Day Cares and doing coloring
- Former Fairest Reunion
- Cosmic Bingo
- 5K Run/Walk
- Teen – DJ, Big Screen TV, Guitar Hero Wii
- Library Day – Free admission for making reading goals
- Master Gardeners competition with judging

1:00 p.m. Workshop was for Secretary/Treasurer – This workshop reviewed report requirements and dates due and went over the new Judges list. This was a good for Amy, while Alex and Gail have done these reports before. The actual Fair reports are due in 30 days of the end of Fair and the yearend report is due by January 31.

At 2:30 p.m. Amy, Alex, Roger and Gail were at the Fairest of the Fairs Preliminaries. Willow did very well with her question and commercial.

At 6:00 p.m. the Silent Auction was going on and we had wine donated from Vetro Winery in Jefferson that we put into baskets. This money helps offset the cost of convention. At 7:00 p.m. a second Showcase of Entertainment was presented.

Wednesday, January 8, 2014

Association Business Meeting was at 8:00 a.m. – 9:45 a.m. Workshops began at 10:00 a.m. and Gail attended Wisconsin Agricultural Tourism Association, presented by Steve Peterson. This is their 20th year and they are looking to build better partnerships with County Fairs. He shared how important it is to get your information out early and often as people plan their short Get Away. Fairs are a destination with instant gratification. A place where kids can be kids and adults can have fun too. The Fair is a true package deal for the entire family. The Wisconsin Association of Fairs is a member of the WI Ag Tourism, but individual fairs can also become members with more exposure through marketing. Yearly membership is \$100. Motor coach Tours are becoming more apt to include a fair as a destination during a tour. Reach out to these groups, which with membership they would have all of the information.

Amy went to the Superintendent Workshop at 10:00 a.m. where Ann Webb from Pierce County Fair gave a presentation about superintendent guidelines, Pre-Fair training and expectations. Superintendents should have an agreement that reflects the term of your Fair Book. A Pre-Fair training session is a must, with snacks. Some Fairs have special t-shirts made for the superintendents to wear during Fair week so that they are known. Most Fairs only give their superintendents admission passes to the Fair.

At 11:15 a.m. Gail attended the Fairest Coordinator's Workshop. This was an open discussion about concerns and sharing. One point that was covered was the use of Social Media and what the Fairest should and should not have posted on their own personal page or the County Facebook. Another issue was tattoos and piercings. What is professional and when do they become a distraction and inappropriate. This issue will be on the Fairest Committee Spring agenda.

At 11:15 a.m. Amy attended the Judges Workshop. Brian Bolan from WI State Fair led the discussion and shared the hiring process of judges at State Fair along with an example of the Judges Contract. Many Fairs had concerns on how to transition to new judges after they have had the same judge in a department for several years. Some also shared stories about Judges that came to their Fair and didn't know how to judge a specific breed of animal. Another topic brought up was Judges Etiquette. Some Fairs had issues with Judges using cell phones in the showing and others with Judges being asked to not communicate with exhibitors before and after the shows. The

consensus was to have good communication with the judges you hire and have as much information written in the contracts as possible.

At 1:00 p.m. another Open Networking Session was held. Gail attended but didn't stay very long – discussions were mostly the same as Monday.

Our District #4 meeting was held at 2:45 p.m. There was a lot of discussion around Spring and Fall District meetings and if they were necessary and did they have enough meat for discussion. Attendance has been dropping the last several years. Need something inspiring and educational. We also talked about workshop and round tables topics for future conventions. The Convention will continue to be at Chula Vista through 2016.

At 4:30 p.m. the Banquet, Awards and Fairest Finals were held. Willow did very well during the competition and made the top 10 contestants. She worked very hard and it showed. She was well prepared and very professional both with wardrobe and content. We worked with her several times to prepare her. We are very proud of her. She made Jefferson County and the Fair proud. We also won a media award for "Timothy the Tractor" photo.

We all headed home Thursday morning.

Respectfully Submitted,

Gail Zastrow & Amy Listle

This convention was bitter sweet. I will miss the many Fair Friends I have made the last 20 years. Thank you.

A handwritten signature in cursive script that reads "Gail".